

Product Specifications

Full Color Receiving Card R5018

V4.0 20181029

Features

R5018-free HUB board design, fully compatible with the R500 function, equivalent to R500 plus HUB75E.

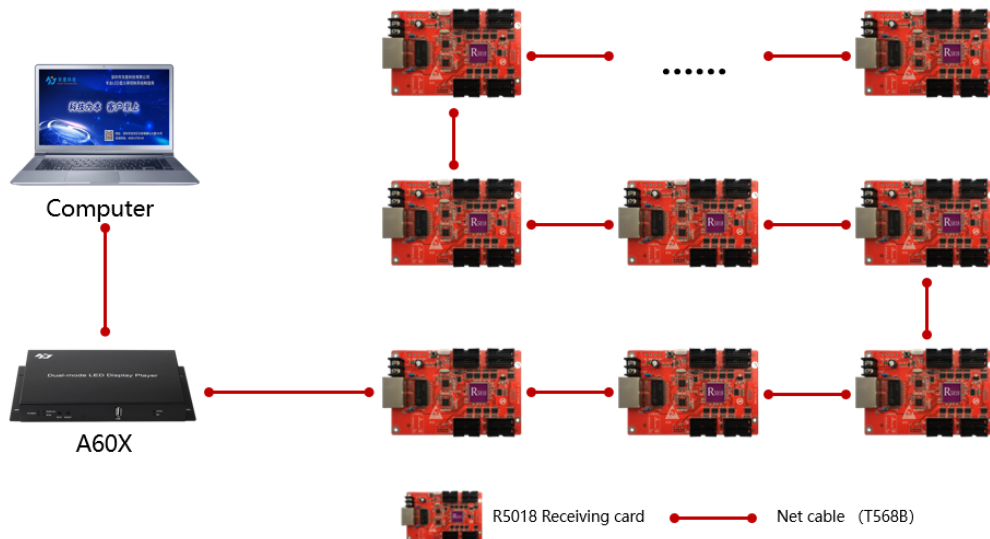
Main parameters

Working with Sending card	Used in Sending card A60X、AX0 、CX0 series
Supporting modules	Used indoor, outdoor full color led displays, and single display; Support MBI5041/5042、MBI5050、MY9221、MY9268 etc. and PWM IC
Scan mode	Static and 1-32 scan randomly
Communication distance	Gigabit Ethernet
One PCS Receiving card control range	256*128(suggest) Max: 190,000 points, 1024 * 192
Receiving cards Connection settings	Receiving card set sequence randomly, and recognized automatically or by hand
Gray scale	0-65536
Smart setting	Smart setting of few simple steps by HDPlayer, and according to led module circuit board, it can smart setting too.
Play contents	Play video、animation、picture、text、3D text、 excel、PPT、time、 counter etc.
Test functions	It have test button, and test modes of red、 green、 blue、

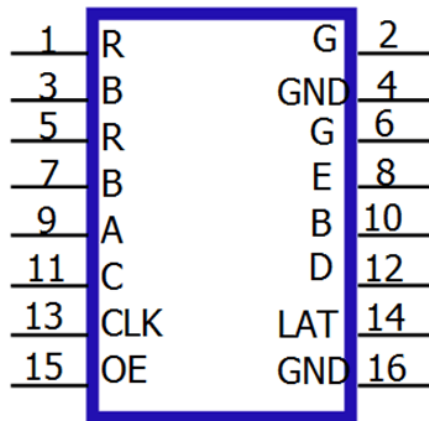
	white、 gray、 oblique line、 grid、 spots etc.
Blanking circuit	Support
Communication distance	150meters by CAT5 or CAT6 LAN Cable
Port	2pin 5V Power *1,1000M LAN port*2, HUB75E port * 8
Voltage	4V-6V
Working temperature	-40℃-85℃

Receiving card connection solution (for example, Sending card used HD-A60x)

Play box A602 and receiving card connection as shown below:

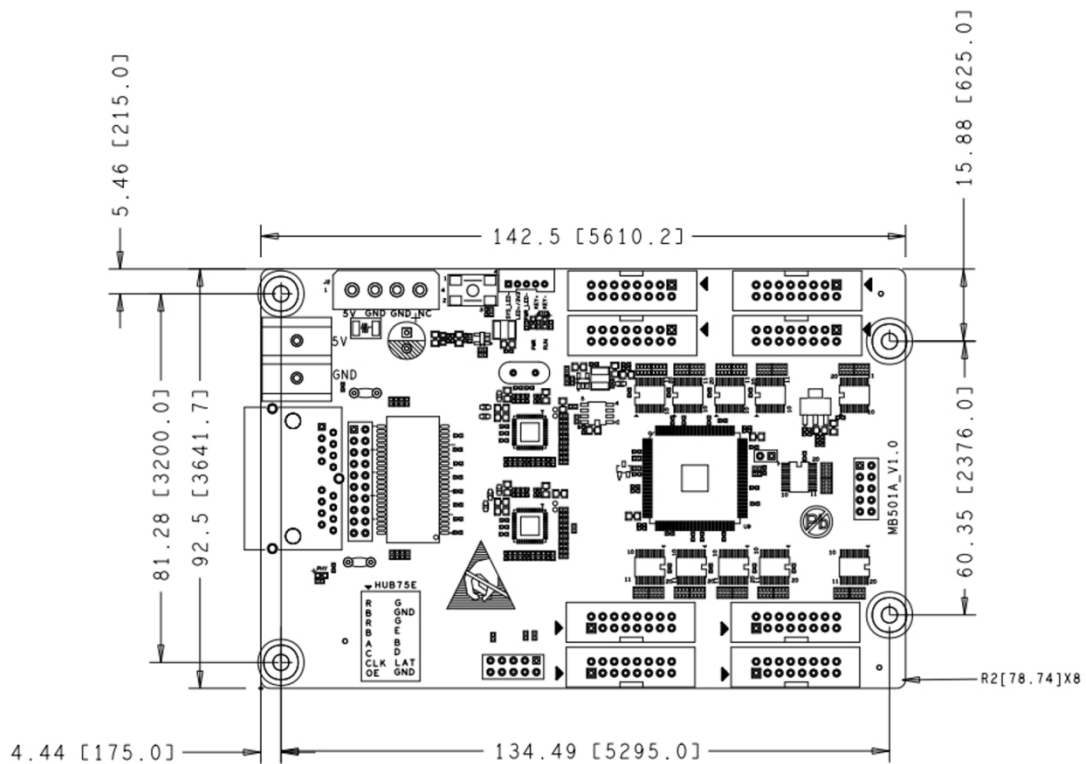


HUB signal details

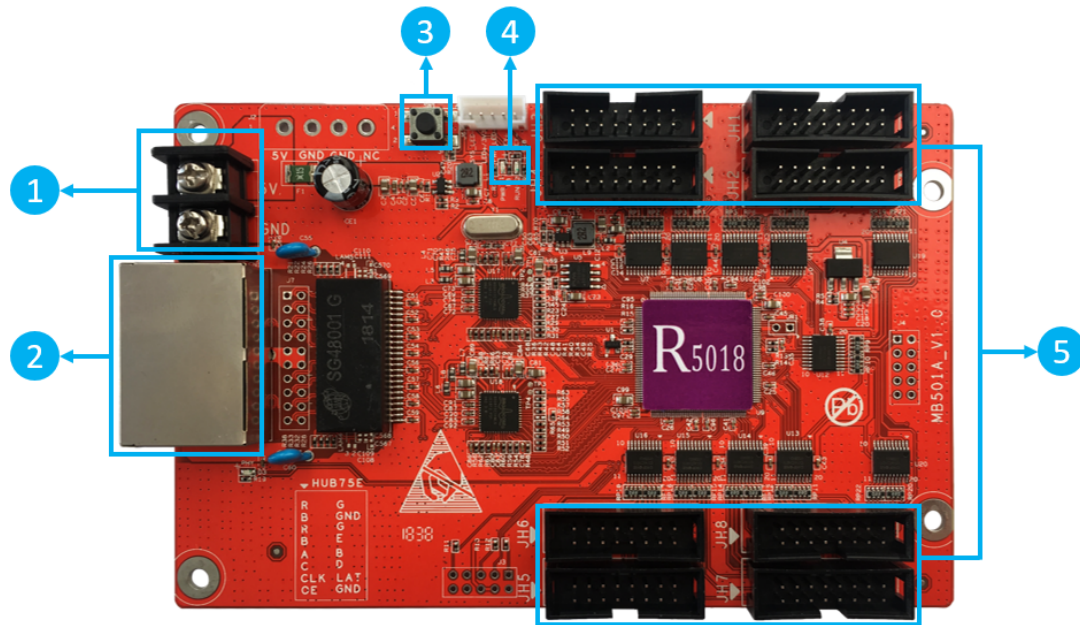


HUB75E

PCB and dimension drawing



Appearance Description



- ①: Power interface, can be accessed 5V voltage;
- ②: Gigabit Ethernet port, connected to the playback box or another receiving card, the same two ports, interchangeable.
- ③: Test button, after adjusting the screen, press it one by one, there will be red, green, blue, white and diagonal test; (the configuration parameters saved on the card and the screen match, unplug the network cable, press the test button It will work.)
- ④: The working status of the lamp D1 is blinking, indicating the normal operation of the control card. The normal working status of the lamp D2 is blinking rapidly, indicating that the gigabit has been recognized and the data is being accepted.
- ⑤: 8 group hub75E interface, with a variety of screen interface connection

Technical Parameters

	Minimum	Typical value	Maximum
Rated voltage (V)	4.2	5.0	5.5
Storage temperature(°C)	-40	25	105
Work environment humidity (°C)	-40	25	80
Work environment humidity (%)	0.0	30	95

Precaution

- 1) In order to ensure the long-term stable operation of the system; please try to use the standard 5V power supply voltage.