

A2K Player

Specification v1.3



Overview

A2K is a new-generation cloud networking player that supports 4K H265/H264 hardware decoding and 1080P HD output. Based on the powerful Colorlight cloud service platform, it provides functions such as device monitoring, program producing, program scheduling, program centralized publishing, and multi-level management.

A2K player supports 4G, WiFi, wired network and other various networking methods, and can be deployed rapidly to achieve intelligent cloud management function, and multi-screen, multi-business and cross-regional unified management. It also supports using the PlayerMaster software for editing and publishing programs, arbitrarily laying out multiple windows, and playing various materials such as videos, pictures, texts, sheets, weather and clock. It can widely apply to various commercial LCD display fields, such as the screen of chain stores, retail stores and advertisement players.

Features

- High-definition output of 1080P
- Multi-level management of cloud server and role-based program publishing
- Strong processing performance, supporting H265/H264 4K high-definition video hardware decoding and playback
- Dual band WiFi, with stable connection and fast transmission rates, supporting configuration of WiFi Station or WiFi AP
- 32GB storage
- Multiple playback modes
 - USB drive plug and play, and program update via USB drive
 - Synchronous playback of multiple screens
 - Program and command schedules
- Windows and materials
 - Multiple program pages (up to 32 pages)
 - Rich media materials, such as pictures, videos, texts and clocks, supporting video and picture scaling
 - Playback and overlay of multiple windows, whose size and location can be freely adjusted
 - Support playing up to two high-definition windows or one 4K video window simultaneously

- Comprehensive control scheme
Support control and management from various platforms, such as LED Assistant for smartphones and tablets, and PlayerMaster for PC.
- Network communication
 - Dual band and dual mode WiFi, supporting WiFi 2.4G and 5G band, WiFi hotspot mode or WiFi client mode¹
 - LAN, supporting DHCP mode and static mode
 - 4G communication, supporting 4G network in various countries (optional)
 - GPS positioning (optional)

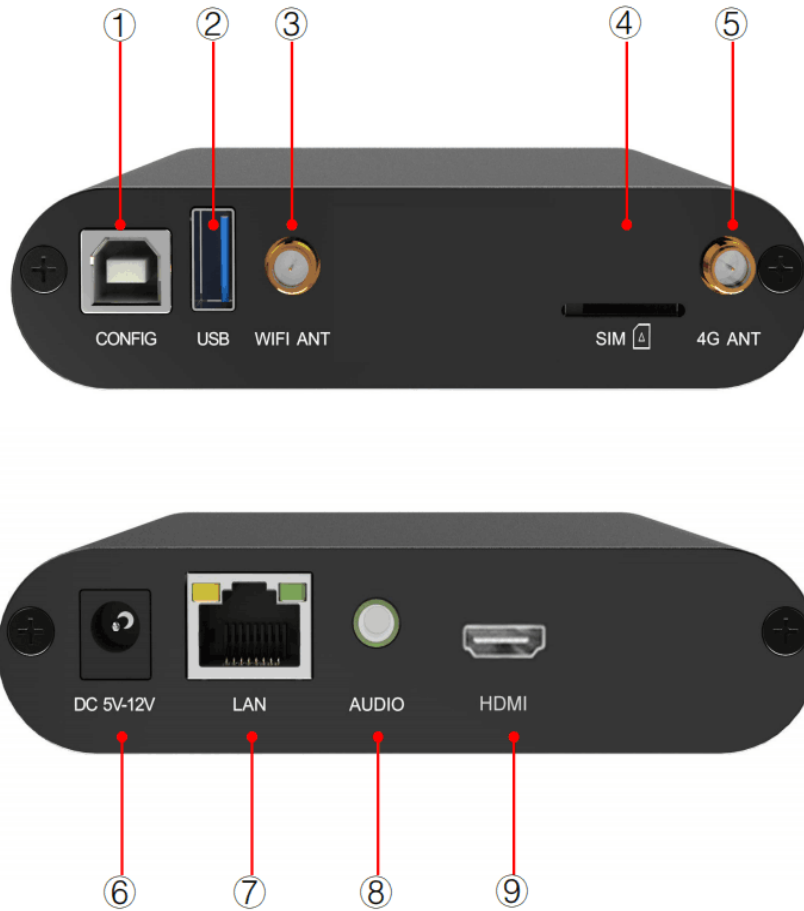
Specification

Basic Parameters	
Hardware Quality	4K high-definition hardware decoding playback
Storage	32GB (25G for content)
RAM	2GB
HDMI Output	1080P HD output
OS	Android OS 9.0 (Android Pie)
Physical Parameters	
Unboxed	108×128×26mm(4.25×5.04×1.02 inch)
Boxed	370×320×52mm(14.57×12.60×2.05 inch)
Operating Voltage	DC 5V-12V
Power Adapter	AC 100~240V 50/60Hz
Maximum Power Consumption	15W
Weight	0.33kg (11.64 oz)
Operating Temperature	-40°C~80°C (-40°F~176°F)
Ambient Humidity	0-95%, non-condensing
Packing List	<ul style="list-style-type: none"> • A2K player×1 • Power Adapter×1 • USB cable×1 • WiFi Antenna & Extension Cord×1 • User Manual×1

¹ The signal stability and quality of WiFi hotspot and WiFi client is related to the transmission distance, wireless network environment and WiFi band.

	<ul style="list-style-type: none"> • Warranty Card×1 • Certificate×1
File Format	
Program Schedule	Scheduled playback of programs
Program Split	Flexible window split, window overlapping, and multiple pages in a program
Video Formats	HEVC (H.265), H.264, MPEG-4 Part 2, Motion JPEG
Audio Formats	AAC-LC, HE-AAC, HE-AAC v2, MP3, Linear PCM
Image Formats	Bmp, jpg, png, gif, webp, etc.
Text Formats	Txt, rtf, word, ppt, excel, etc.
Text Display	Single-line text, multi-line text, static text and scrolling text
Multi-window Display	Up to 4 video windows (support only one HD window when there are 4 video windows), multiple pictures/texts, scrolling texts, scrolling pictures, LOGO, date/time/week and weather forecast windows. Flexible content display in different areas.
Window Overlapping	Arbitrary overlapping with fully transparent, opaque and translucent effects
RTC	Real-time clock display and management
USB Drive Plug and Play	Supported

Hardware



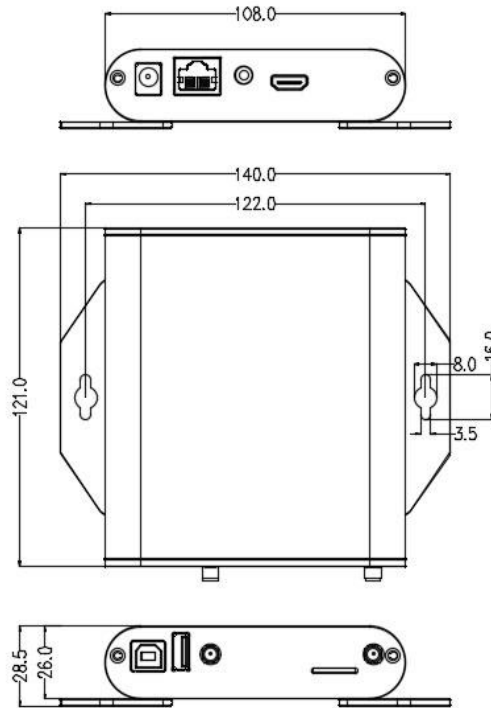
No.	Name	Function
1	CONFIG	USB-B port, for controlling the device, such as setting screen parameters and publishing a program
2	USB ²	USB-A port, supporting USB 3.0, for updating programs via the USB drive
3	WIFI ANT	Connected to the WiFi antenna, supporting 2.4G/5G dual band, WiFi hotspot mode (as a WiFi router) and WiFi client mode (connected to other WiFi routers)
4	SIM card slot	Micro-SIM card slot
5	4G ANT	Connected to the 4G antenna (optional)
6	DC 5V-12V	Power Input
7	LAN	Access the local area network
8	AUDIO	3.5mm, HIFI stereo output
9	HDMI output	Signal output, connected to the LCD display

² USB 3.0 Output: 5V 1A.

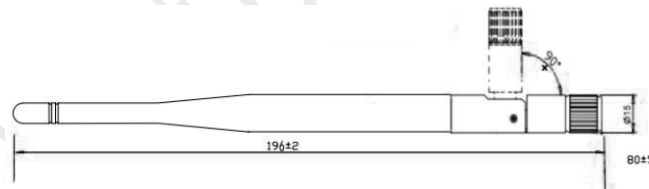
Dimensions

Unit: mm

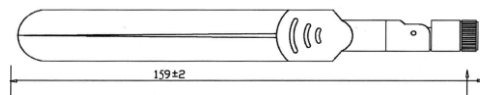
A2K Player



WiFi antenna



4G antenna (optional)



Configuration and Management Software

Name	Type	Description
PlayerMaster	PC Client	Used for local or cloud screen management, as well as program editing and publishing
ColorlightCloud	Web	A web-based management system for content publishing, centralized management and screen monitoring
LED Assistant	Mobile Client	Android and iOS, enabling wireless control of players

Statement

Copyright © 2024 Colorlight Cloud Tech Ltd. All rights reserved.

Without the express written permission of Colorlight Cloud Tech Ltd., no unit or individual may copy, copy, transcribe or translate part or all of the contents of this book. Not to be used for any commercial or profit-making purposes in any form or by any means.

 **Colorlight®** The logo is a registered trademark of Colorlight Cloud Tech Ltd.

Without the written permission of the company or the trademark owner, no unit or individual may in any way or for any reason use, reproduce, modify, disseminate, transcribe or infringe all or any part of the above-mentioned trademark, nor may it be bundled with other products. Use sales.

As factors such as product batches and production processes may change, in order to provide accurate product information, specification parameters, and product characteristics in order to match the actual product, the text description and picture effects in the document will be adjusted and revised appropriately. If it is necessary to carry out the above modification and adjustment without prior notice, please refer to the actual product.

Welcome to choose to use the products of Colorlight Cloud Tech Ltd. If you have any questions or suggestions in use, please contact us through official channels, we will try our best to support and listen to your valuable suggestions. For more information and updates, please visit the official website www.colorlightinside.com or scan the QR code.

Service Phone

4008 770 775

Colorlight Cloud Tech Ltd.

Official Website: www.colorlightinside.com
Head Office Address: Room 37F-39F, Building 8, Zone A,
Shenzhen International Innovation Valley, Vanke Cloud City, Dashi Yilu,
Nanshan District, Shenzhen, China

